



E.BOX  
PAGE 174



### TECHNICAL DATA

**Operating range:** from 1 to 14.5 m<sup>3</sup>/h.

**Pumped liquid:** clean, free of solids and abrasives, non viscous, non aggressive, non crystallised and chemically neutral, with properties similar to water.

**Pumped liquid temperature range:** from 0 °C to +35 °C for domestic use - +40 °C for other uses.

**Maximum ambient temperature:** +40°C.

**Maximum operating pressure:** PN10.

**Special executions on request:** contact our sales network.

**Protection class:** IP44.

IE2 motors as standard from 0,75 kW to 5,5 kW - IE3 ≥ 7,5 kW.

### APPLICATIONS

Water lifting sets particularly suited for domestic use, and small civil, agricultural, or industrial systems. Their main features are utmost reliability, simple operation, and the fact that no maintenance is required. The sets are supplied as standard with tanks and with air supply connector.

### CONSTRUCTION FEATURES

#### HYDRAULIC SECTION

2 EURO multistage centrifugal electric pumps. Tropicalized galvanized sheet steel base complete with 4 rubber anti-vibration feet. Suction and delivery manifolds in tropicalized galvanized steel. 2 membrane tanks. Ball valves with unions on the suction and delivery ports of each pump. Check valves on the suction port of each pump. 1 1/4" air supply connection at the suction of each pump. 2 tropicalized galvanized cast iron female plugs for closing the manifolds. 1 pressure transmitter on the delivery manifold (pressure detection).

#### ELECTRICAL SECTION

Supplied in an IP 55 protection class self-extinguishing thermoplastic material box, the control panel protects the electric pumps from abnormal conditions such as: overload and overtemperature (with automatic reset), short circuit (with fuses - Plus model only), pump current surges (amperometric protection), abnormal voltage, dry run, quick starts, pressure sensor fault, or inconsistency of the external protection commands.

#### FRONT PANEL COMPONENTS:

General disconnecter with padlockable door lock. AUT-0-MAN operation selection pushbuttons. Alarm RESET pushbutton. Display for all models. Operation, stop, alarm notification lamps.

#### PANEL INTERNAL COMPONENTS:

Electronic control card with protection fuses and contactors. Power input connection terminal (single phase or three phase). Dry run or overpressure pressure switch connection terminals (optional). Alarm notification N.O. contacts. Function selection mini dip switch (pressure transmitter or pressure switches, standard or additional tanks).

The electric control panel is ready for the connection of:

Dry run protection float or pressure switch kit (\*).

Overpressure stop pressure switch kit (\*).

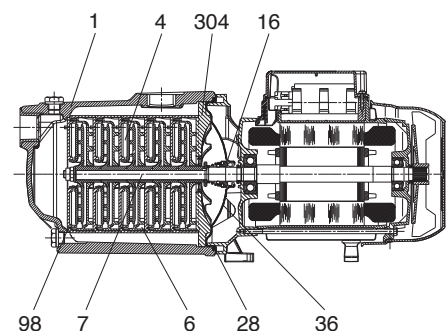
(\* available separately as optional.

The sets are supplied in a sturdy cardboard packaging on wooden pallet and installation / maintenance manual with electric diagram.

### MATERIALS

N.	PARTS*	MATERIALS
1	PUMP BODY	CAST IRON 200 UNI ISO 185
4	IMPELLER	TECHNOPOLYMER
6	DIFFUSER	TECHNOPOLYMER
7	SHAFT WITH ROTOR	AISI 304 STAINLESS STEEL X5CrNi 1810 UNI 6900/71
16	MECHANICAL SEAL	CARBON / CERAMIC
28	OR RING	NBR
36	SEAL COVER	AISI 304 STAINLESS STEEL X5CrNi 1810 UNI 6900/71
98	DIFFUSER BODY	TECHNOPOLYMER
304	REAR DISC	TECHNOPOLYMER

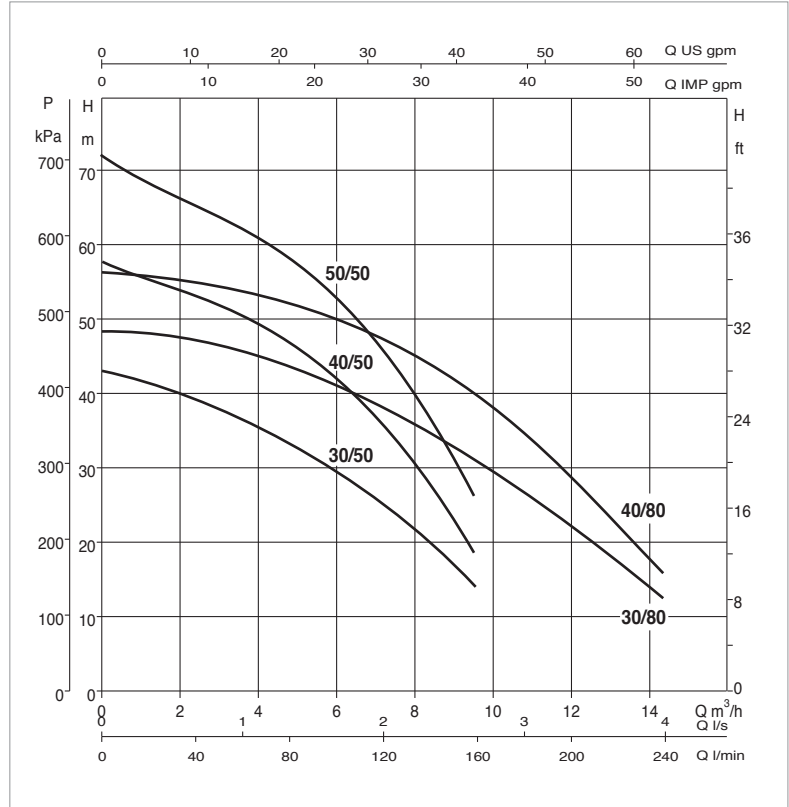
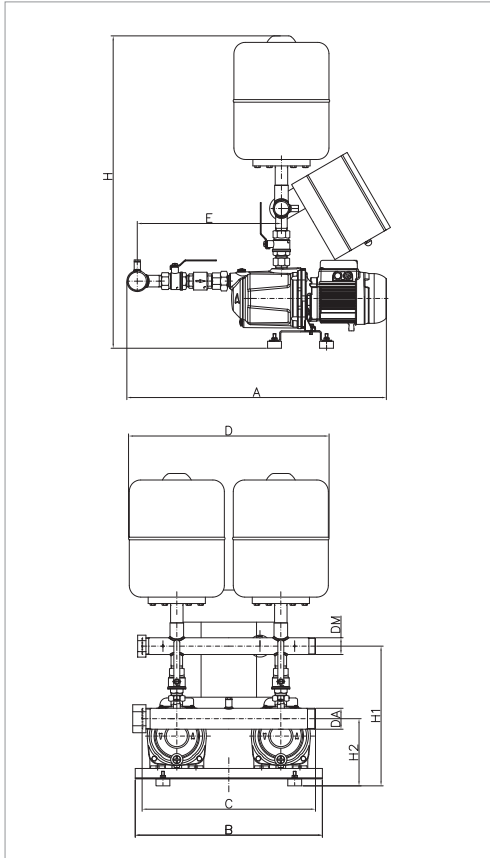
\* In contact with the liquid



## 2 EURO - CIVIL USE PRESSURE BOOSTER SETS

Pumped liquid temperature range: from 0 °C to +35 °C for domestic use - from 0 °C to +40 °C for other uses.

Maximum ambient temperature: +40 °C - Max flow rate: 14.5 m³/h



The performance curves are based on kinematic viscosity values = 1 mm²/s and density equal to 1000 kg/m³.  
Curve tolerance according to ISO 9906.

MODEL	POWER INPUT 50 Hz	P2 NOMINAL		In A	FLOW m³/h	MAX OBTAINABLE PRESSURE BAR	STANDARD PRESSURE BAR
		kW	HP				
2 EURO 30/50 M	1x220-240 V~	2x0,55	2x0,75	2x3,9	8.0-4.4	3.8	2.5
2 EURO 40/50 M	1x220-240 V~	2x0,75	2x1	2x5,3	8.0-5.2	5.3	3.5
2 EURO 50/50 M	1x220-240 V~	2x1	2x1,36	2x6,3	7.6-5.2	6.5	4.5
2 EURO 30/80 M	1x220-240 V~	2x0,8	2x1,1	2x5,3	11.0-7.0	4.3	3
2 EURO 40/80 M	1x220-240 V~	2x1	2x1,36	2x6,3	10.0-6.0	5.5	4
2 EURO 30/50 T	3x400 V~	2x0,55	2x0,75	2x1,6	8.0-4.4	3.8	2.5
2 EURO 40/50 T	3x400 V~	2x0,75	2x1	2x2,2	8.0-5.2	5.3	3.5
2 EURO 50/50 T	3x400 V~	2x1	2x1,36	2x2,5	7.6-5.2	6.5	4.5
2 EURO 30/80 T	3x400 V~	2x0,8	2x1,1	2x2,2	11.0-7.0	4.3	3
2 EURO 40/80 T	3x400 V~	2x1	2x1,36	2x2,5	10.0-6.0	5.5	4

MODEL	A	B	C	D	E	H	H1	H2	Ø MANIFOLDS		WEIGHT kg
									DNA (suc.)	DNM (del.)	
2 EURO 30/50 M	755	540	500	578	415	830	402	194	2"	1"½	57
2 EURO 40/50 M	755	540	500	578	415	830	402	194	2"	1"½	57
2 EURO 50/50 M	755	540	500	578	415	830	402	194	2"	1"½	56
2 EURO 30/80 M	755	540	500	578	415	830	402	194	2"	1"½	57
2 EURO 40/80 M	755	540	500	578	415	830	402	194	2"	1"½	56
2 EURO 30/50 T	755	540	500	578	415	830	402	194	2"	1"½	57
2 EURO 40/50 T	755	540	500	578	415	830	402	194	2"	1"½	57
2 EURO 50/50 T	755	540	500	578	415	830	402	194	2"	1"½	58
2 EURO 30/80 T	755	540	500	578	415	830	402	194	2"	1"½	57
2 EURO 40/80 T	755	540	500	578	415	830	402	194	2"	1"½	58