

NEW RANGE

**IN-LINE PUMPS
DN 32
CM-CP / DCM-DCP 2**

**CONCEIVED TO
SIMPLIFY
YOUR WORK**



DAB[®]
WATER • TECHNOLOGY

CM-CP / DCM-DCP 2

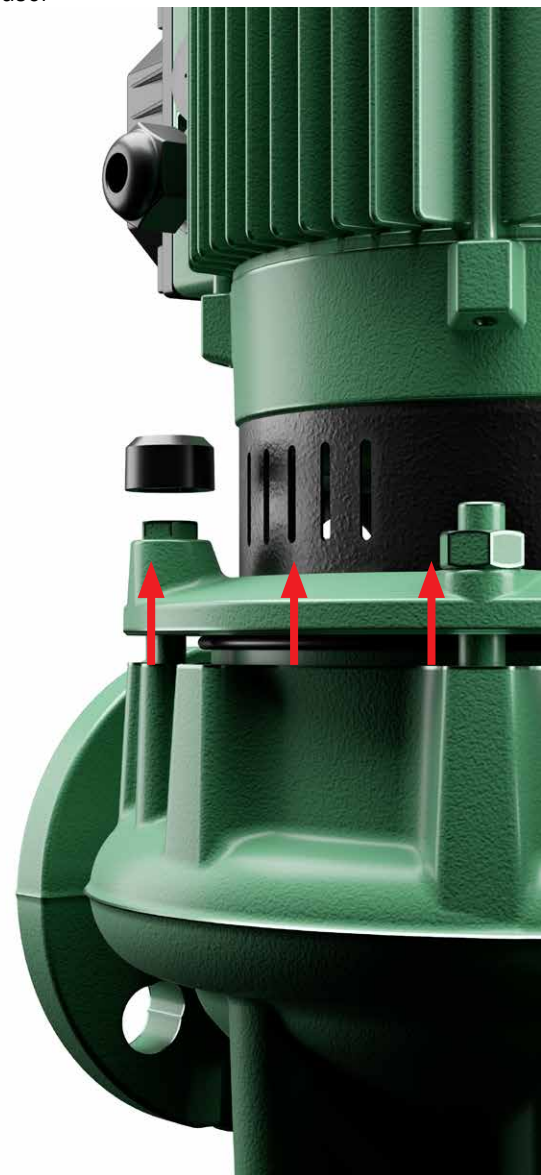
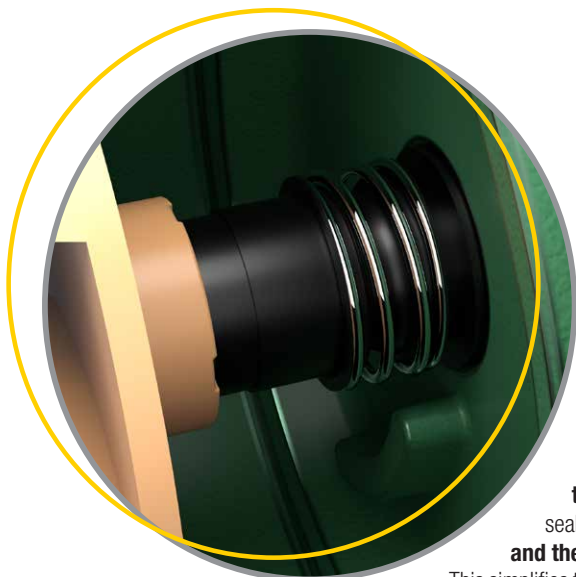
CONCEIVED TO SIMPLIFY YOUR WORK

The new **CM - CP2 DN32** have been conceived to complement **DAB's existing range of single-stage in-line circulation pumps in heating and air-conditioning systems, in commercial and residential buildings.**

The DN32 is only the starting point of the future evolution of the DAB range: the technological improvements and optimisations aimed at improving performance, user experience and energy efficiency, will also be extended to all the other sizes.

SIMPLER TO WORK BETTER

With the application of the **extractor screws**, the installation and maintenance of the pump become easier but also safer: this is an extra help for those working with the pump, as the tool **guides the technician in the disassembly and assembly of the pump, making it easier to handle and avoid damage to the impeller during the activities.**



BUILT TO LAST, EVEN IN HARSH CONDITIONS

The **mechanical seal of the DN32** ensures high reliability and excellent performance. Made of silicon carbide and with EPDM gaskets, **it maximises the performance and the useful life of the pump.** But there is more: a better seal also means that the pump can work with a **glycol percentage of up to 50%, and therefore in environments with particularly low temperatures.**

This simplifies the work of the maintenance technician, the installer and also the designer, who can use **the same product for different applications.**

ENERGY EFFICIENCY

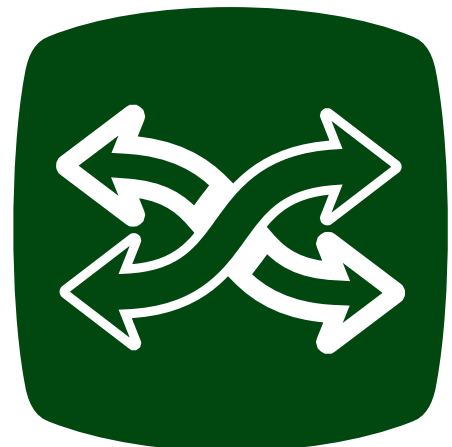
We applied our technological know-how and the latest fluid dynamics studies in order to adapt the DN32 to the **current European standards, which stipulate a MEI of ≥ 0.4 .**



REPLACEMENT IS ALSO EASY

The DN32 has been designed taking into account the main dimensions required by the market: the **centre distance of the pump is of a standard length that allows it to replace any existing systems.**

See the substitution table on the following page.



CM-CP / DCM-DCP 2

SUBSTITUTION TABLE

DAB 2P	P2 [kW]	GRUNDFOS 2P	P2 [kW]	LOWARA 2P	P2 [kW]	WILO 2P	P2 [kW]	EBARA 2P	P2 [kW]
CP2 32-550 T	0,25	TP 32-60/2 0,25	0,25						
CP2 32-750 T	0,37	TP 32-120/2 0,37	0,37			VeroLine-IPL 32/85-0,37/2	0,37		
CP2 32-1100 T	0,55	TP 32-150/2 0,37	0,37	LN 32-160/07A	0,75	VeroLine-IPL 32/95-0,55/2	0,55	LPC 32-100/0,37	0,37
CP2 32-1400 T	0,75	TP 32-180/2 0,55	0,55	LN 32-160/07	0,75	VeroLine IPL 32/105-0,75/2	0,75		
CP2 32-1800 T	1,1	TP 32-200/2 1,1	1,1	LN 32-160/11	1,1	VeroLine-IPL 32/125-1,1/2	1,1		
CP2 32 2200 T	1,5	TP 32-250/2 1,5	1,5	LN 32-160/15	1,5	VeroLine IPL 32/135-1,5/2	1,5		
CP2 32-2100 T	0,75	TP 32-230/2 0,75	0,75			CronoLine-IL 32/140-1,5/2	1,5		
CP2 32-2700 T	2,2	TP 32-320/2 2,2	2,2	LN 32-160/22	2,2	CronoLine-IL 32/150-2,2/2	2,2		
CP2 32-3600 T	3	TP 32-380/2 3,0	3	LN 32-160/30	3	CronoLine-IL 32/160-3/2	3		
CP2 32-4000 T	4	TP 32-460/2 4,0	4			VeroLine-IPL 32/175-4/2	4		
						CronoLine-IL 32/170-4/2	4		
CP2-G 32-4800 T	5,5	TP 32-580/2 5,5	5,5						

DAB 4P	P2 [kW]	GRUNDFOS 4P	P2 [kW]	LOWARA 4P	P2 [kW]	WILO 4P	P2 [kW]
CM2 32-450 T	0,25	TP 32-40/4 A-F-A-BQBE-CX3 0.25 kW	0,25	32-160/02A	0,25	VeroLine-IPL 32/105-0,12/4	0,12
CM2 32-600 T	0,25	TP 32-60/4 A-F-A-BQBE-CX3 0.25 kW	0,25	32-160/02	0,25	VeroLine-IPL 32/135-0,25/4	0,25
CM2 32-800 T	0,37	TP 32-100/4 A-F-A-BQQE-DX3 0.37 kW	0,37	32-160/03	0,37		
		TP 32-80/4 A-F-A-BQQE-CX3 0.25 kW	0,25				
CM2 32-1200 T	0,55	TP 32-120/4 A-F-A-BQQE-EX3 0.55 kW	0,55				



DAB PUMPS LTD.
6 Gilberd Court
Newcomen Way
Severalls Business Park
Colchester
Essex
CO4 9WN - UK
salesuk@dwtgroup.com
Tel. +44 0333 777 5010



DAB PUMPS IBERICA S.L.
Calle Verano 18-20-22
28850 - Torrejón de Ardoz - Madrid
Spain
Info.spain@dwtgroup.com
Tel. +34 91 6569545
Fax: +34 91 6569676



DAB PUMPS (QINGDAO) CO. LTD.
No.40 Kaituo Road, Qingdao Economic & Technological
Development Zone
Qingdao City, Shandong Province - China
PC: 266500
sales.cn@dwtgroup.com
Tel. +86 400 186 8280
Fax +86 53286812210



DAB PUMPS BV
'tHofveld 6 C1
1702 Groot Bijgaarden - Belgium
info.belgium@dwtgroup.com
Tel. +32 2 4668353



DAB PUMPS HUNGARY KFT.
H-8800
Nagykanizsa, Buda Ernő u.5
Hungary
Tel. +36 93501700



DAB PUMPS DE MÉXICO, S.A. DE C.V.
Av Amsterdam 101 Local 4
Col. Hipódromo Condesa,
Del. Cuauhtémoc CP 06170
Ciudad de México
Tel. +52 55 6719 0493



DAB PUMPS POLAND Sp. z o.o.
Ul. Janka Muzykanta 60
02-188 Warszawa - Poland
polska@dabpumps.com.pl



DAB PUMPS OCEANIA PTY LTD
426 South Gippsland Hwy,
Dandenong South VIC 3175 - Australia
info.oceania@dwtgroup.com
Tel. +61 1300 378 677



DAB PUMPS B.V.
Albert Einsteinweg, 4
5151 DL Drunen - Nederland
info.netherlands@dwtgroup.com
Tel. +31 416 387280
Fax +31 416 387299



DAB PUMPS INC.
3226 Benchmark Drive
Ladson, SC 29456 - USA
info.usa@dwtgroup.com
Tel. 1- 843-797-5002
Fax 1-843-797-3366



PT DAB PUMPS INDONESIA
Satrio Tower lantai 26
unit C-D, Jl. Prof. Dr. Satrio Kav. C4,
Kel. Kuningan Timur, Kec. Setiabudi, Kota Adm.
Jakarta Selatan, Prov. DKI Jakarta. - Indonesia
Tel. +62 2129222850



DAB PUMPS GMBH
Am Nordpark 3
D - 41069 Mönchengladbach - Germany
info.germany@dwtgroup.com
Tel. +49 2161 47388-0
Fax +49 2161 47388-36



DAB PUMPS SOUTH AFRICA (PTY) LTD
Twenty One industrial Estate,
16 Purlin Street, Unit B, Warehouse 4
Olifantsfontein -1666 - South Africa
info.sa@dwtgroup.com
Tel. +27 12 361 3997