

INLINE PUMPS

DESIGNED TO MAKE YOUR JOB **EASIER**



DAB[®]
WATER • TECHNOLOGY

DABPUMPS.COM

CM2-CP2 / DCM2-DCP 2

DESIGNED TO SIMPLIFY YOUR FUTURE

The **CM2-CP2 / DCM2-DCP2** inline pumps are the first step in our commitment to producing a comprehensive **DAB inline pump range for circulation in heating and air-conditioning systems in commercial and residential buildings**. Offering top performance, they are designed to make your job easier, whether you are installing or servicing them.

To date, the **CM2-CP2 / DCM2-DCP2** range has been optimized with technological improvements — new hydraulics and new impellers — designed to boost its performance and efficiency, ensuring the best possible user experience and, at the same time, optimizing energy efficiency on the DN40 and DN50 units, as well as on the new DN32 size.

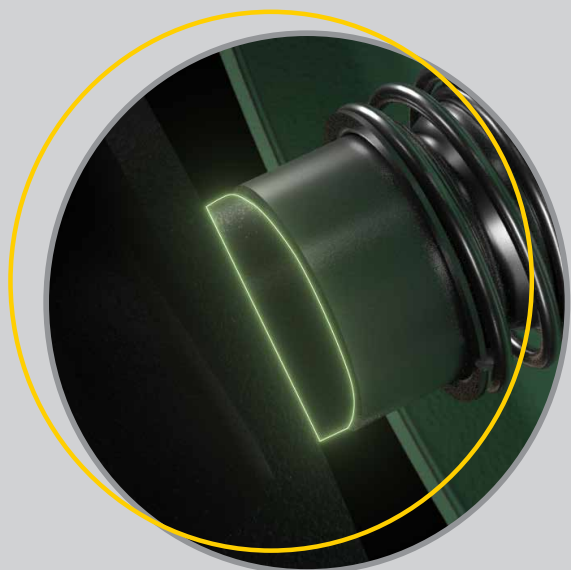
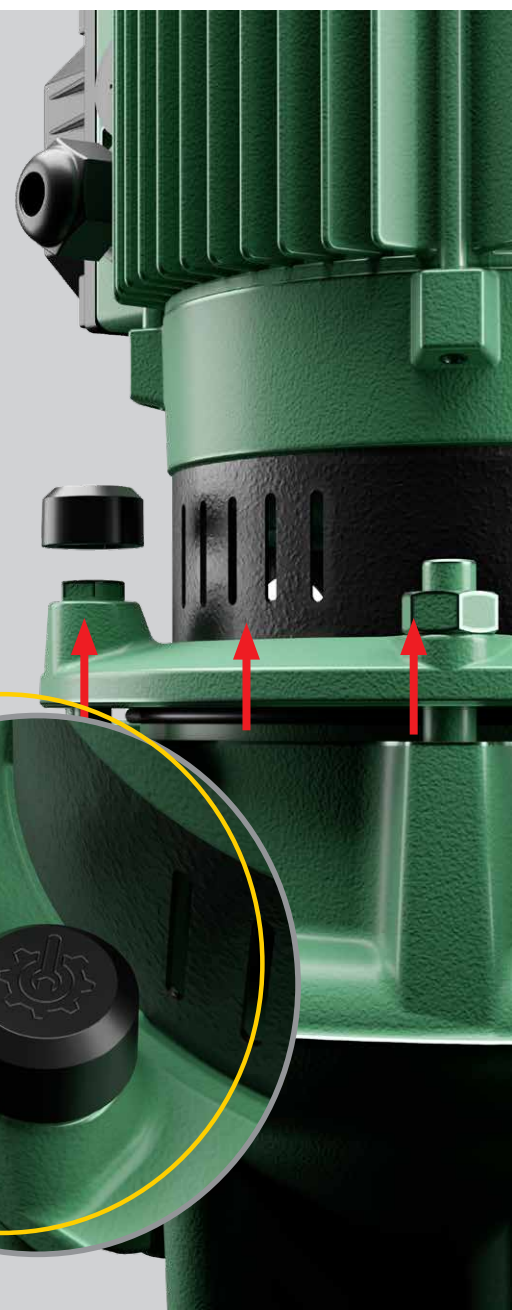


SIMPLER MEANS YOU WORK BETTER

With the aid of extractor screws, installation and maintenance is not only easier, but safer too: this is a valuable aid for industry professionals working with DAB inline pumps as this tool guides removal and fitting.

The resulting effortless alignment between the motor and pump casing makes handling these parts that much easier and minimizes the risk of damage.

The new design of the mechanical seal has also been conceived with versatility in mind for the **CM2-CP2 / DCM2-DCP2** models. The pumps can be adapted to accommodate different installation standards: using an easily applied spacer, the length of the mechanical seal can be changed as needed. Same performance, two lengths.





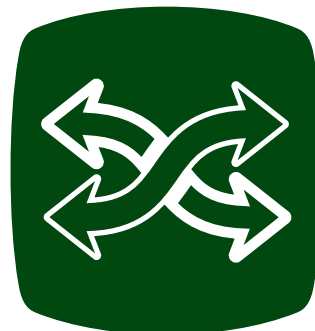
BUILT TO LAST, EVEN IN TOUGH CONDITIONS

The **CM2-CP2 / DCM2-DCP2** mechanical seal delivers **great reliability and excellent performance**. Made from silicon carbide with EPDM gaskets, it maximizes the pump's efficiency and service life. But that's not all: improved sealing means the pump can handle **glycol percentages up to 50%**, so it can **operate in environments where temperatures are particularly low**. Furthermore, this also guarantees the operation of the pump up to a temperature of 140°. This is how we have simplified the job of not just maintenance personnel and installers, but designers too, who can use **the same device for different applications**.



EVEN REPLACEMENT IS EASY

The sizes of the new range have been designed to match the main sizes demanded by the market. More specifically, **the standard length of the flanges' bolt circle diameter means the pumps are even suitable for replacing obsolete products in existing systems**.



CM2-CP2 / DCM2-DCP 2

EFFICIENCY INDEX IE5

NGDRIVE CONTROL, PROTECTION AND SAVINGS

The control and protection requirements of systems using **CM2-CP2 / DCM2-DCP2** pumps are met by fitting the pumps with the **NgDrive** variable frequency drive, which adjusts motor speed to suit the system's actual demand. When it comes to energy efficiency, even small variations in motor speed can have a real impact on lowering consumption and costs. The technological product of over 40 years' experience in the water handling sector, **NgDrive** is a controller that has everything covered, from system safety to reducing energy consumption.

TECHNOLOGY, PERFORMANCE AND ENERGY EFFICIENCY

Here at **DAB**, we apply our experience and our technological know-how to ensure our products meet current European standards, as well as to pursue excellence in terms of both performance and efficiency.

Based on the latest fluid dynamic studies, we have adjusted the hydraulics of the **CM2-CP2 / DCM2-DCP2** units to ensure the MEI index is consistently ≥ 0.4 .

Then, in line with the latest European regulations on ecodesign specifications and standards, the **CME2-CPE2 / DCME2-DCPE2** pumps have been IE5 certified, which is currently the highest energy efficiency rating out there. On this note, the pairing of a permanent magnet motor with the features of the **NgDrive** controller delivers both exemplary performance and real energy savings, resulting in a tangible reduction in consumption.



YOUR SYSTEM IS ONLINE AND YOU CAN WORK THE WAY YOU'RE USED TO



With the **DConnect** portal and app, you can communicate with **NgDrive** even metres away from the installation — or even from your living room — to monitor and control your pumps in the same way as your day-to-day interactions with the smart objects we are all familiar with. This means you always have full control of the system, with a constant analysis of operating parameters.

And with **DAB Virtual Cockpit**, you can control all your systems in exactly the same way that you would control the TV at home, for example: everything from the initial configuration to system monitoring and monitoring consumption becomes a familiar, intuitive experience.

ALM-ALP / KLM-KLP

TO COMPLETE THE RANGE

The **ALM-ALP / KLM-KLP** units are electronic inline pumps for water recirculation in heating or air-conditioning systems. They are ideal in residential, institutional and commercial settings, wherever solar panels are in use, and in systems tasked with circulating domestic hot water.

The new-improved **ALM-ALP / KLM-KLP** units have been optimized with a new AISI 316 stainless steel motor shaft, which makes them more resistant to corrosion. In addition, the new silicon carbide mechanical seal means that the pump can handle glycol percentages up to 50%, thus operating even in installations where temperatures are particularly low.

The **new KLPE** also guarantees the **IE5 efficiency standard**, thanks to the combined action of the **NgDrive** controller and of the permanent magnet motor, thus offering high performance and at the same time, an effective reduction in consumption.

ALM-ALP



KLM-KLP



KLME-KLPE



ALM-ALP / KLM-KLP



DAB PUMPS LTD.
Unit 6 Gilbert Court
Newcomen Way, Severalls Park
C04 9WN
Colchester
ordersuk@dwtgroup.com
Tel. +44 0333 777 5010



DAB PUMPS IBERICA S.L.
Calle Verano 18-20-22
28850 - Torrejón de Ardoz - Madrid
Spain
Info.spain@dwtgroup.com
Tel. +34 91 6569545



DAB PUMPS (QINGDAO) CO. LTD.
No.10 Xindong Road
Jiulong Town,
Jiaozhou City
266319 Qingdao (Shandong) - China
sales.cn@dwtgroup.com
Tel. +86 400 186 8280
Fax +86 53286812210



DAB PUMPS BV
'tHofveld 6 C1
1702 Groot Bijgaarden - Belgium
info.belgium@dwtgroup.com
Tel. +32 2 4668353



DAB PUMPS HUNGARY KFT.
H-8800
Nagykanizsa, Buda Ernő u.5
Hungary
Tel. +36 93501700



DAB PUMPS DE MÉXICO, S.A. DE C.V.
Av Amsterdam 101 Local 4
Col. Hipódromo Condesa,
Del. Cuauhtémoc CP 06170
Ciudad de México
Tel. +52 55 6719 0493



DAB PUMPS POLAND Sp. z o.o.
Ul. Janka Muzyczna 60
02188 Warszawa - Poland
sprzedaz@dabpumps.com.pl



DAB PUMPS B.V.
Statenlaan, 4
5223 LA, 's-Hertogenbosch
Nederland
info.nl@dabpumps.com
Tel. +31 416 387280



DAB PUMPS INC.
3226 Benchmark Drive
Ladson, SC 29456 - USA
info.usa@dwtgroup.com
Tel. 1- 843-797-5002
Fax 1-843-797-3366



DAB PUMPS OCEANIA PTY LTD
426 South Gippsland Highway,
Dandenong South VIC 3175 - Australia
info.oceania@dwtgroup.com
Tel. +61 1300 378 677



DAB PUMPS GMBH
Am Nordpark 3
D - 41069 Mönchengladbach - Germany
info.germany@dwtgroup.com
Tel. +49 2161 47388-0
Fax +49 2161 47388-36



DAB PUMPS SOUTH AFRICA (PTY) LTD
Twenty One industrial Estate,
16 Purlin Street, Unit B, Warehouse 4
Olifantsfontein -1667 - South Africa
info.sa@dwtgroup.com
Tel. +27 12 361 3997



PT DAB PUMPS INDONESIA
Satrio Tower lantai 26
unit C-D, Jl. Prof. Dr. Satrio Kav. C4,
Kel. Kuningan Timur, Kec. Setiabudi, Kota Adm.
Jakarta Selatan, Prov. DKI Jakarta. - Indonesia
Tel. +62 2129222850