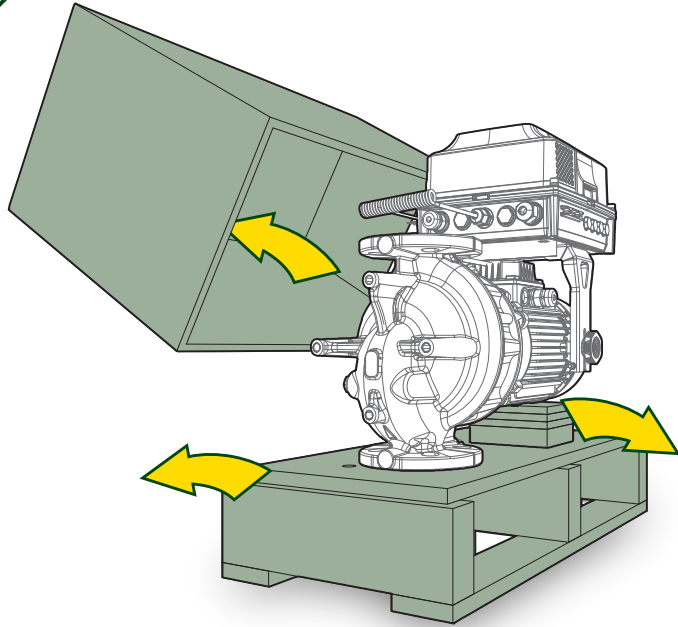
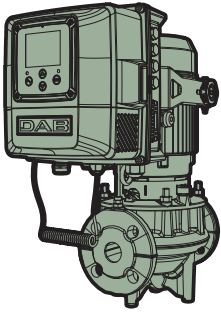


QUICK GUIDE

ELECTRONIC IN LINE PUMPS ASSEMBLY



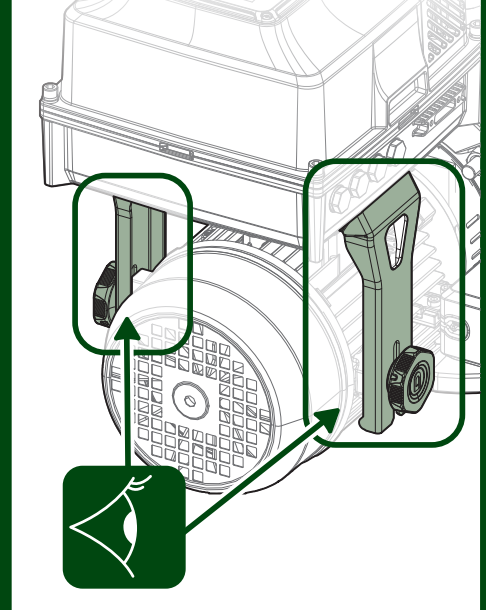
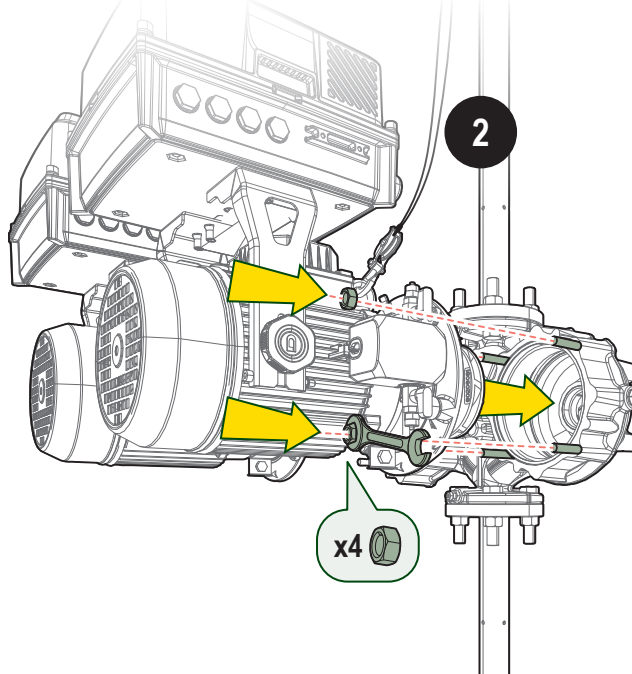
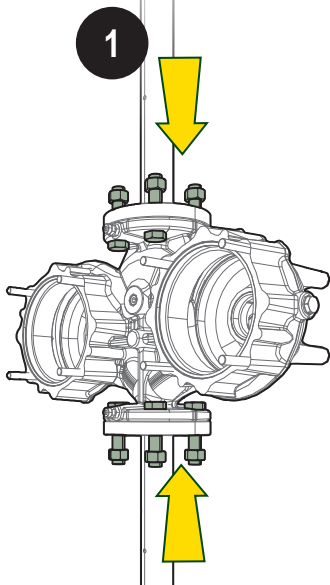
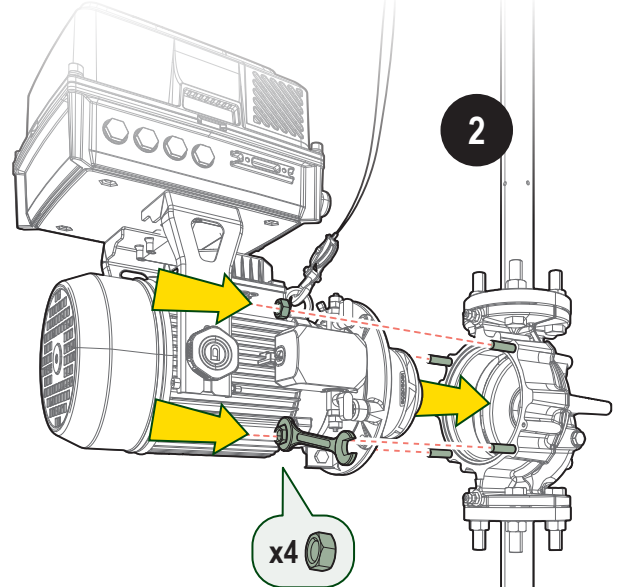
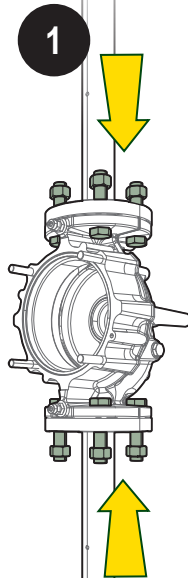
- DAB PUMPS LTD.** 6 Gilbert Court Newcomen Way Severalls Business Park, Colchester Essex CO4 9WN - UK, salesuk@dwgroup.com, Tel. +44 0333 777 5010
- DAB PUMPS IBERICA S.L.** Calle Verano 18-20-22 28850 - Torrejón de Ardoz - Madrid Spain, info.spain@dwgroup.com, Tel. +34 91 6569545, Fax: +34 91 6569676
- DAB PUMPS B.V.** 'tHofveld 6 C1 1702 Groot Bijgaarden - Belgium, info.belgium@dwgroup.com, Tel. +32 2 4668353
- DAB PUMPS B.V.** Albert Einsteinweg, 4 5151 DL Drunen - Nederland, info.netherlands@dwgroup.com, Tel. +31 416 387280, Fax +31 416 387299
- DAB PUMPS INC.** 3226 Benchmark Drive Ladson, SC 29456 - USA, info.usa@dwgroup.com, Tel. 1-843-797-5002, Fax 1-843-797-3366
- DAB PUMPS SOUTH AFRICA** Twenty One industrial Estate, 16 Purlin Street, Unit B, Warehouse 4 Clifantfontein - 1666 - South Africa, info.sa@dwgroup.com, Tel. +27 12 361 3397
- DAB PUMPS GmbH** Am Nordpark 3, 41069 Mönchengladbach - Germany, info.germany@dwgroup.com, Tel. +49 2161 47 388 0, Fax +49 2161 47 388 36
- DAB PUMPS POLAND SP. Z.O.O.** Ul. Janka Muzykanta 60 02-188 Warszawa - Poland, polska@dabpumps.com.pl
- DAB PUMPS (QINGDAO) CO. LTD.** No.10 Xindong Road, Jiulong Town, Jiaozhou City, Qingdao City, Shandong Province - China, info.china@dabpumps.com
- DAB PRODUCTION HUNGARY KFT.** H-8800 Nagykanizsa, Buda Ernő u.5 Hungary, Tel. +36 93501700
- DAB PUMPS DE MÉXICO, S.A. DE C.V.** Av Amsterdam 101 Local 4 Col. Hipódromo Condesa, Del. Cuauhtémoc CP 06170 Ciudad de México, Tel. +52 55 6719 0493
- DAB PUMPS OCEANIA PTY LTD** 426 South Gippsland Hwy, Dandenong South VIC 3175 - Australia, info.oceania@dwgroup.com, Tel. +61 1300 373 677



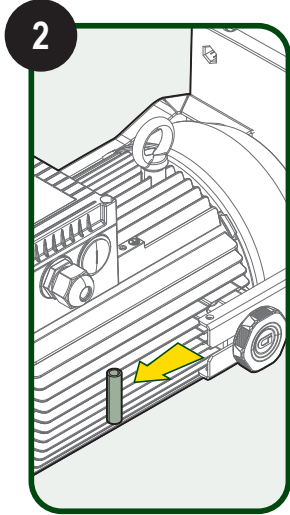
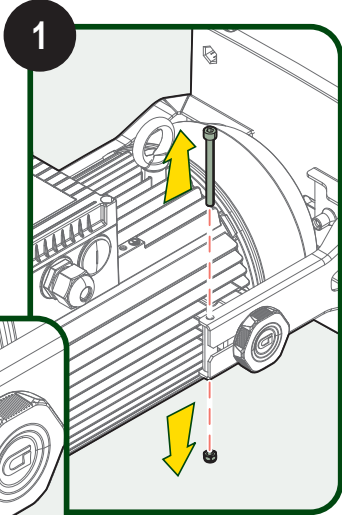
DAB PUMPS S.p.A.
Via M. Polo, 14 - 35035 Mestrino (PD) - Italy
Tel. +39 049 5125000 - Fax +39 049 5125950
www.dabpumps.com



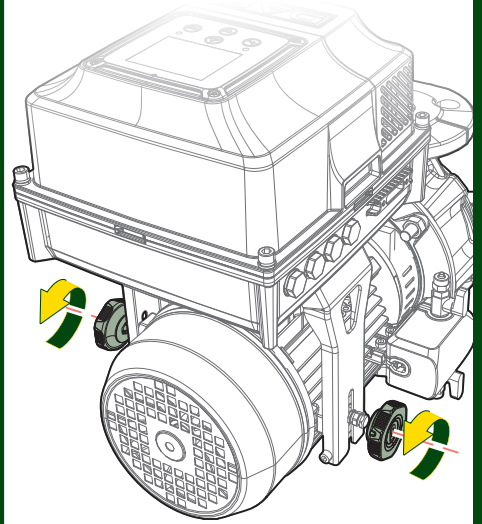
06/24 cod. 60217869



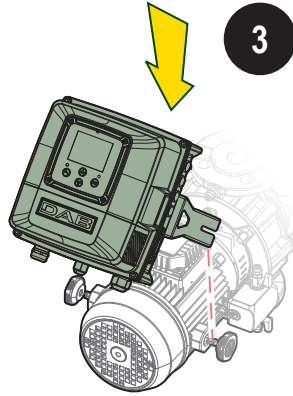
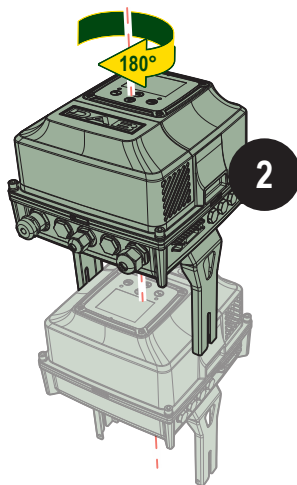
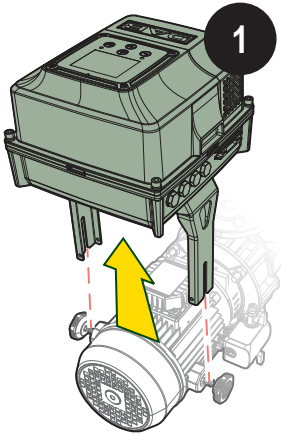
4



5



6



7

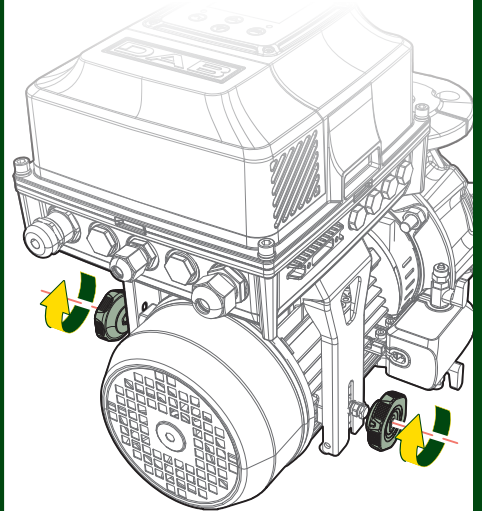


Fig.5

8

