

# QUICK PRESS

ON/OFF CONTROLLER



# QUICK PRESS

ON/OFF CONTROLLER



## TECHNICAL DATA

**Supply voltage:** 1x230 Vac (+/- 10%) 50/60 Hz

**Max. current:** 12 A

**Output:** 1,1 – 2.2 kW

**Protection rating:** IP65

**Max. working pressure:** 10 bar

**Minimum flow rate:** ≈ 1 l/min

**Male connection:** 1" BSP

**Restart pressure setting:** 1,5 Bar (non-adjustable)

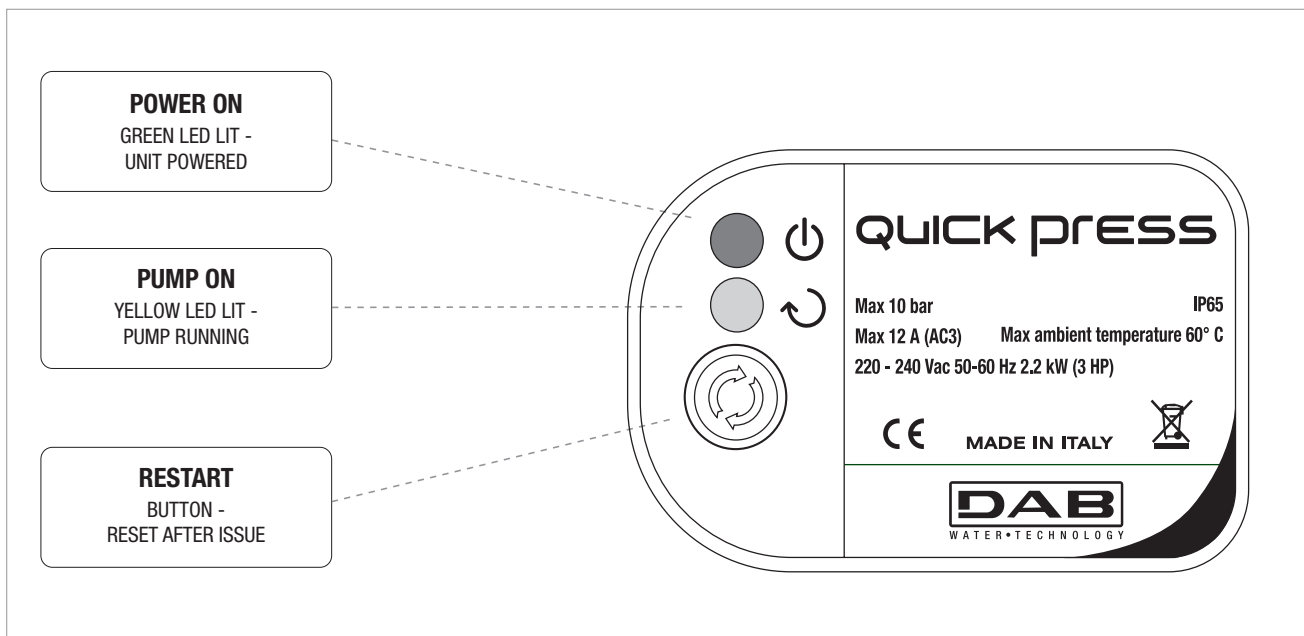
**Max. working temperature:** 60°C

**Certifications for drinking water use:** ACS e AS/NZ 4020

Quick Press is an on/off device designed to control the pump's starting and stopping based on demand. It stops the pump when there is no water and protects it from dry running. It can be mounted on surface and submersible pumps alike. The compact device is reliable and designed, above all, for residential applications.

## CONTROL PANEL

The control panel is designed to indicate run status and report any operating issues.



## INSTALLATION AND STARTUP

Quick Press can be mounted on the actual pump or between the pump and the first point of use.

To put the device into operation, simply perform the wiring and supply power. From now on, Quick Press will start and stop the pump based on water demand (opening and closing).

If there is a power outage, the unit restarts automatically when power is resumed.

# QUICK PRESS

## ON/OFF CONTROLLER

### CORRECT QUICK PRESS/PUMP PAIRING

The pump to be paired with the Quick Press device must not only meet the system's water demand, but must also produce 1.5 bar more pressure (with fixtures closed  $Q=0$ ) than the Quick Press restart pressure.

When there is a water demand, namely when fixtures are opened, Quick Press's preset restart pressure (1.5 bar) must overcome the back pressure generated by the water column exerting pressure on the pump. Hence Quick Press's restart pressure must be at least 0.5 bar higher than the back pressure generated by the height of the water column.

#### Example:

4-storey building with an estimated height as follows: 2.7m ceiling height per apartment, ceiling depth 35 cm  $\approx$  12 m

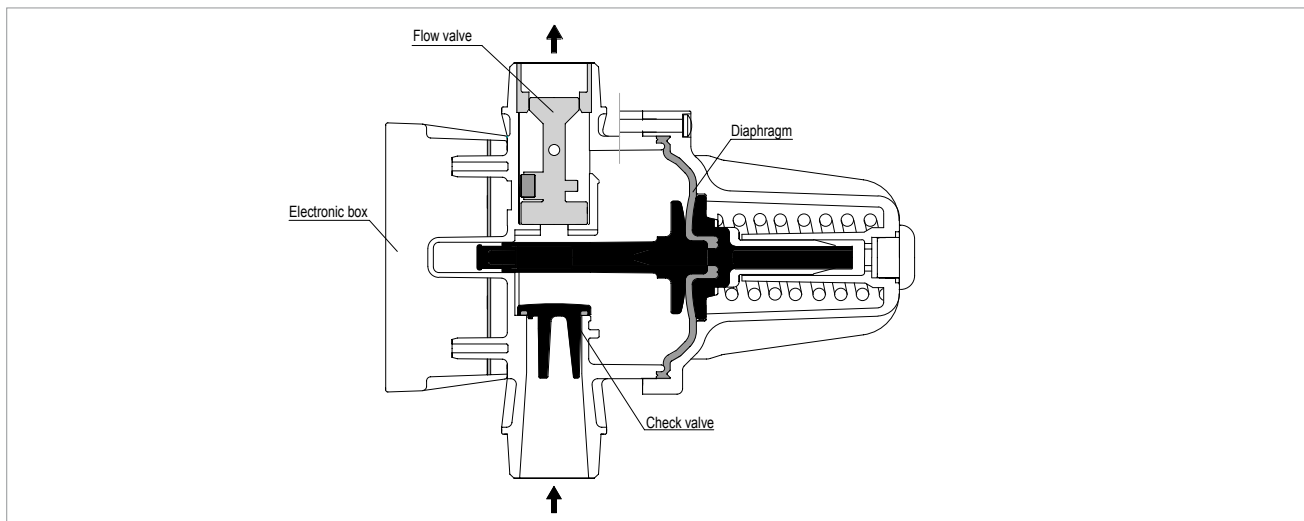
Quick Press restart: 1.5 bar

Max. pump pressure ( $Q=0$ ): 3 bar

When there is a demand for water from one of the users, the Quick Press pressure drops until it reaches the preset threshold value. In our example, the pump starts when the start pressure reaches 1.5 bar. If the water demand increases, the working pressure decreases. Vice versa, with a lower water demand, working pressure increases.

When all fixtures are closed and there is no water demand, the pump reaches the maximum pressure setting (3 bar). If there is no flow, the pump stops.

## MAIN DEVICE COMPONENTS



## ACCESSORIES

CABLE	DESCRIPTION
	150CM CABLE WITH SCHUKO PLUG – 50CM CABLE WITH SCHUKO SOCKET
	150CM CABLE WITH SCHUKO PLUG – 68CM 3-PIN CABLE
	150CM CABLE WITH AUSTRALIAN PLUG – 68CM 3-PIN CABLE
	150CM CABLE WITH UK PLUG – 68CM 3-PIN CABLE

COUPLER	DESCRIPTION
	1" BSP M/F QUICK COUPLER

# DNA<sup>®</sup>

## PUMPS SELECTOR

# On-line product selection



**DAB PUMPS LTD.**  
Unit 6 Gilberd Court  
Newcomen Way, Severalls Park  
CO4 9WN  
Colchester  
[ordersuk@dwgroup.com](mailto:ordersuk@dwgroup.com)  
Tel. +44 0333 777 5010



**DAB PUMPS IBERICA S.L.**  
Calle Verano 18-20-22  
28850 - Torrejón de Ardoz - Madrid  
Spain  
[Info.spain@dwgroup.com](mailto:Info.spain@dwgroup.com)  
Tel. +34 91 6569545



**DAB PUMPS (QINGDAO) CO. LTD.**  
No.10 Xindong Road  
Jiulong Town,  
Jiaozhou City  
266319 Qingdao (Shandong) - China  
[sales.cn@dwgroup.com](mailto:sales.cn@dwgroup.com)  
Tel. +86 400 186 8280



**DAB PUMPS BV**  
'tHofveld 6 C1  
1702 Groot Bijgaarden - Belgium  
[info.belgium@dwgroup.com](mailto:info.belgium@dwgroup.com)  
Tel. +32 2 4668353



**DAB PUMPS HUNGARY KFT.**  
H-8800  
Nagykanizsa, Buda Ernő u.5  
Hungary  
Tel. +36 93501700



**DAB PUMPS DE MÉXICO, S.A. DE C.V.**  
Av Amsterdam 101 Local 4  
Col. Hipódromo Condesa,  
Del. Cuauhtémoc CP 06170  
Ciudad de México  
Tel. +52 55 6719 0493



**DAB PUMPS POLAND Sp. z o.o.**  
Ul. Janka Muzykanta 60  
02188 Warszawa - Poland  
[sprzedaz@dabpumps.com.pl](mailto:sprzedaz@dabpumps.com.pl)



**DAB PUMPS B.V.**  
Statenlaan, 4  
5223 LA, 's-Hertogenbosch  
Nederland  
[info.nl@dabpumps.com](mailto:info.nl@dabpumps.com)  
Tel. +31 416 387280



**DAB PUMPS INC.**  
3226 Benchmark Drive  
Ladson, SC 29456 - USA  
[info.usa@dwgroup.com](mailto:info.usa@dwgroup.com)  
Tel. 1-843-797-5002  
Fax 1-843-797-3366



**DAB PUMPS OCEANIA PTY LTD**  
426 South Gippsland Highway,  
Dandenong South VIC 3175 - Australia  
[info.oceania@dwgroup.com](mailto:info.oceania@dwgroup.com)  
Tel. +61 1300 378 677



**DAB PUMPS GMBH**  
Am Nordpark 3  
D - 41069 Mönchengladbach - Germany  
[info.germany@dwgroup.com](mailto:info.germany@dwgroup.com)  
Tel. +49 2161 47388-0  
Fax +49 2161 47388-36



**DAB PUMPS SOUTH AFRICA (PTY) LTD**  
Twenty One industrial Estate,  
16 Purlin Street, Unit B, Warehouse 4  
Olifantsfontein -1667 - South Africa  
[info.sa@dwgroup.com](mailto:info.sa@dwgroup.com)  
Tel. +27 12 361 3997



**PT DAB PUMPS INDONESIA**  
Satrio Tower lantai 26  
unit C-D, Jl. Prof. Dr. Satrio Kav. C4,  
Kel. Kuningan Timur, Kec. Setiabudi, Kota Adm.  
Jakarta Selatan, Prov. DKI Jakarta. - Indonesia  
Tel. +62 2129222850